

CT-3 SZ

LARGE COUNTER TOP SUB-ZERO

IN-HOUSE CUSTOM GRAPHICS CAPABILITIES



**Keeps Beer Ice Cold
Without Freezing!**

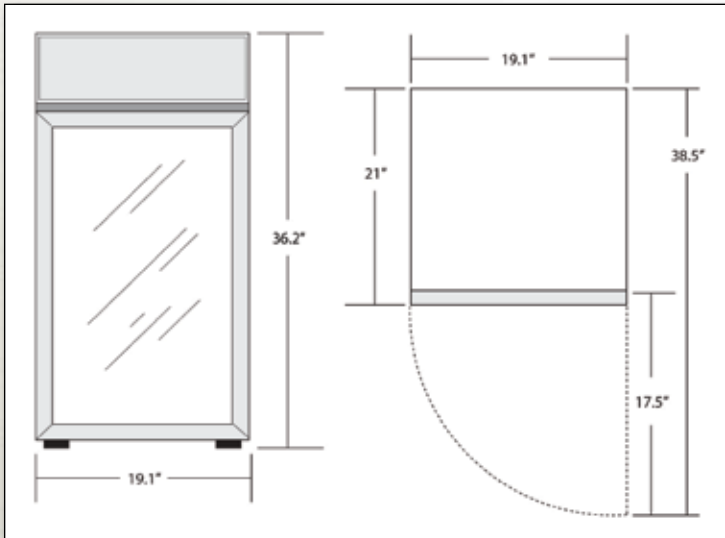
- 3 Cubic Foot Capacity
- Durable Steel Cabinet
- Automatic Defrost Cycle
- Low Energy Double Pane Heated Glass Door
- Self-Closing Door
- Forced Air Refrigeration with Ball Bearing Fan
- Illuminated Header with LED Display
- Dual Recessed Interior Lighting
- 3 Adjustable Shelves
- Eco-Friendly R134a Refrigerant
- Custom Door Lock
- Exterior LED Thermostat Display
- Cools Down to 25°F/-4°C

CT-3 SZ LARGE COUNTER TOP SUB-ZERO

LARGE COUNTER TOP SUB-ZERO

- Adjustable Thermostat with 25°F – 41°F Range
- 3 Cubic Foot Capacity
- Durable Steel Cabinet
- Quality Baked-On Paint Finish
- Low Energy Double Pane Heated Tempered Glass Door
- Exterior Light Switch
- Self Closing Door
- Recessed Handle
- Custom Door Lock
- Factory Engineered Refrigeration System
- Eco-Friendly R134a Refrigerant
- Forced Air Refrigeration with Ball Bearing Fan
- Illuminated Sign Header with LED Display
- Exterior LED Thermostat Display
- Dual Recessed Interior Lighting
- ETL Certified
- 3 Adjustable Shelves
- Coated Heavy Wire Construction Shelves
- Adjustable Levelers
- Cools Down to 25°F/-4°C
- 115V/60HZ

SPECIFICATIONS



Exterior Dimensions: 19.1"W x 21.3"D x 36.2"H

Interior Dimensions: 15.8"W x 15.5"D x 23.6"H

Package Dimensions: 20.4"W x 22.5"D x 38"H

Units Per 40' Container: 184 **Net Wt:** 92.6 Pounds

Units Per Pallet: 8

Gross Wt: 97 Pounds

Pallets Per 53' Truck: 29

Units Per 53' Truck: 522

PRODUCT CAPACITY

Product Facings Per Shelf*:

Seven (7) of 2" Diameter Containers

Six (6) of 2.5" Diameter Containers

Five (5) of 3" Diameter Containers **estimated*

WARRANTY One Year Parts, 90 Days Labor

SPARE PARTS Inventoried

		ESTIMATED TOTAL CAPACITY	Bottle / Can Diameter		
			2"	2.5"	3"
Bottle / Can Height	CT-3 SZ	# of Shelves			
	6"	3	147	108	75
	6.5"	3	147	108	75
	7"	3	147	108	75
	7.5"	2	98	72	50
	8"	2	98	72	50
	8.5"	2	98	72	50
9"	2	98	72	50	